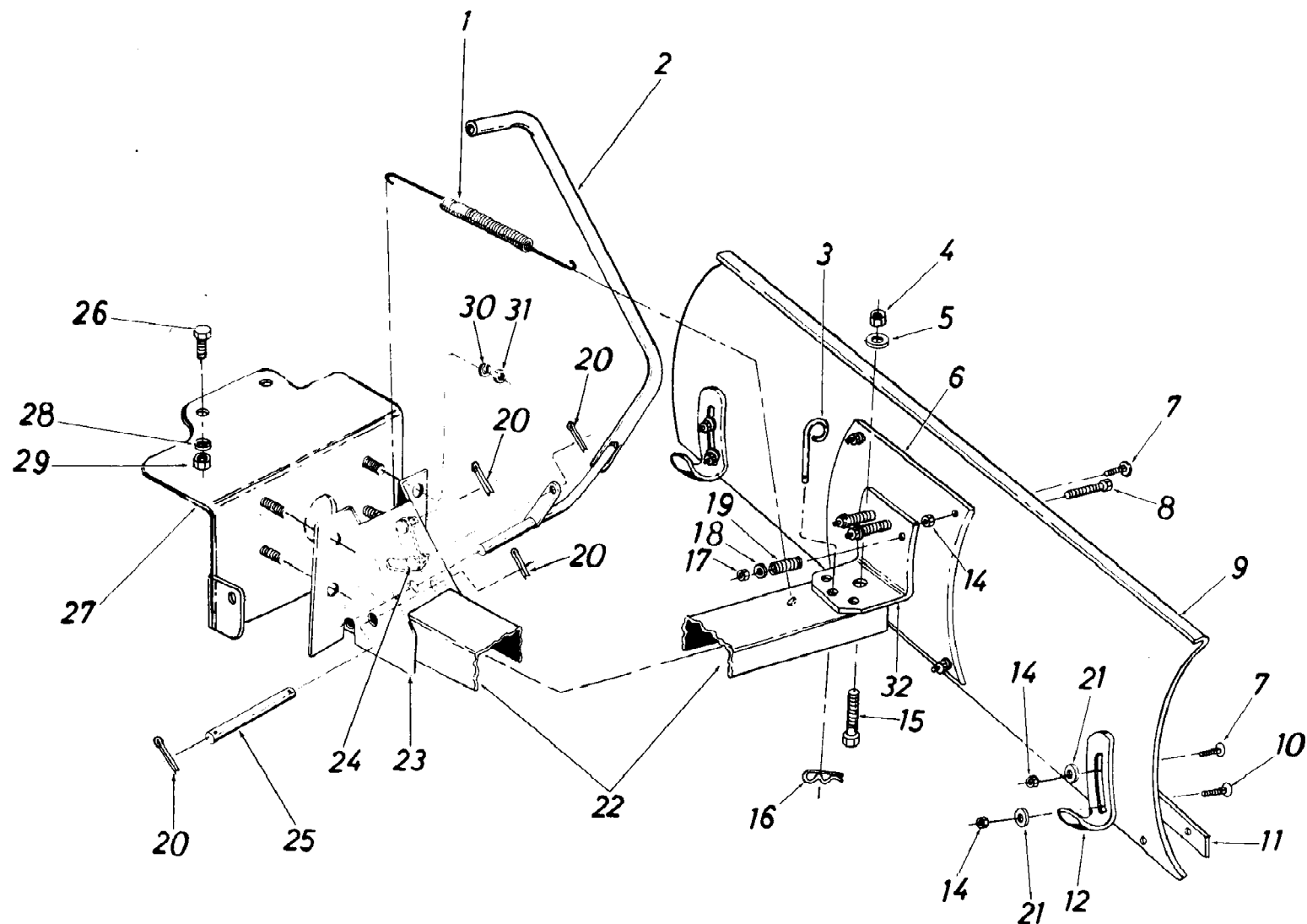


190-485-190 42" Snow Blade (1988)
42" Snow Blade



190-485-190 42" Snow Blade (1988)
42" Snow Blade

Page 2 of 2

Ref #	Part Number	Qty	S/P/F	Description
1	732-0153	1	/P	Extension Spring
2	11632	1	S	Lift Handle Ass'y.
3	43038	1		Pivot Lock Pin
4	712-0384	1	S	Hex Cent. L.-Nut 1/2-13 Thd.
5	736-0179	1	S	Fl.-Wash. 17/32 I.D. x 1.25" Lg.
6	23061	1		Reinforcement Plate
7	710-0451	1	/P	Carriage Bolt 5/16-18 x .75" Lg.*
8	43036	1		Hex Scr. 3/8-16 x 3.75" Lg. Grade 5
9	23114	1		42" Blade
10	710-0276	1	/P	Carriage Bolt 5/16-18 x 1.00" Lg.*
11	23117	1		42" Wear Plate
12	23070	1		Shoe Skid
14	712-0158	1	S	Hex Cent. L.-Nut 5/16-18 Thd.*
15	710-0474	1	/P	Hex Scr. 1/2'-13 x 1.25" Lg.*
16	714-0101	1	S	Hair Pin Cotter
17	712-0375	1	/P	Hex Cent. L.-Nut 3/8-16 Thd.
18	736-0258	1	/P	Fl.-Wash. 3/8" I.D.
19	43035	1		Compression Spring
20	714-0121	1	S	CotterPin 1/8" Dia. x 1.00" Lg.*
21	43081	1		Fl.-Wash. 5/16" I.D.
22	23116	1		Push Bar Channel
23	10513	1		Pivot Support Bracket
24	10521	1		Lift Link
25	09625	1	S	Channel Pivot Shaft
26	710-0253	1	S	Hex Scr. 3/8-16 x 1.00" Lg. Grade 5
27	14773	1		Support Bracket Ass'y.
28	736-0169	1	S	L.-Wash. 3/8 I.D.*
29	712-0798	1	/P	Hex Nut 3/8-16 Thd.
30	736-0169	1	S	L.-Wash. 3/8" I.D.
31	712-0342	1	/P	Hex Jam Nut 3/8-16 Thd.
32	23115	1		Support Bracket